

Product Features

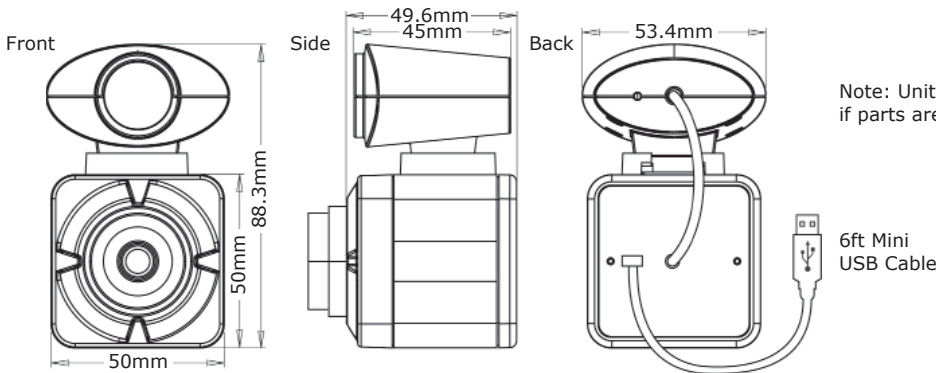
- **Synchronized USB powered LED flash for consistent high quality images in any environment**
- 1.3 megapixel progressive scan sensor
- >12.5fps at 720p high definition uncompressed resolution
- Still image capture with streaming video
- USB 2.0 bus provides power, camera and flash control
- Complete SDK available
- Compact industrial design

Software

- USB 2.0 viewer software and Microsoft Digitally Certified WDM Device Drivers for 32bit and 64bit Windows operating systems
- DirectX/DirectShow compliant
- TWAIN compliant
- **FIPS 201 compliance**
(in conjunction with appropriate software)



24C7.38USB-F Shown with optional 6mm lens



Technical Specifications

Electrical	24C7.38USB-F
Sensor	1/3" CMOS
Flash	High powered white LED
Viewer Display	1280 x 1024 max
Max Frame Rates (Uncompressed)	7.5 fps @ SXGA (1280 x 1024) 12fps @ XGA (1024 x 768) 25fps @ VGA (640 x 480)
Sensitivity	< 2.0 Lux (50 IRE) F1.2, 3200K, lens transmission 80%, scene reflection 75%
Signal to Noise Ratio	>45 dB (AGC off)
Gamma	0.45 default (1.0 via software)
Gain Control	Automatic 36 dB (AGC default) or Fixed options via software
Scan Mode	Progressive scan
Mirror Mode	Yes (horizontal/vertical)
Shutter Mode	Rolling shutter
Control Communication	Camera control via USB bus
Synchronization	Internal
Back Light Compensation	Default on (selectable via software)
White Balance Mode	AWB auto white mode, Fixed modes selectable via software
Contour Enhancement	Default on
Iris Control	Electronic shutter
Shutter Speeds	Automatic Fixed (NTSC) 1/12 to 1/100 Fixed (PAL) 1/15 to 1/120
Video Output	USB 2.0
Power Supply	5VDC via USB 2.0 bus
Power Consumption	< 0.6W

Mechanical

Dimensions W x H x D (camera only)	50mm x 50mm x 49.6mm (1.97" x 1.97" x 1.95")
Weight (w/flash)	195g (0.43lb)
Cable	6ft mini USB cable

Environmental

Operating Temperature	-15° C ~ 55° C (5° F ~ 131° F)
Operating Humidity	20% up to 93%RH
Storage Temperature	-25° C ~ + 70° C (-13° F ~ 158° F)
Storage Humidity	Up to 98%RH
Lifetime	MTBF > 150000

Software

Viewer (included) SFT-07019	<ul style="list-style-type: none"> • WDM device drivers • DirectX/DirectShow compliant • TWAIN compliant (requires driver installation)
SDK (optional) SFT-07019-SDK	Complete software development kit and support for OEMs

Recommended System Requirements

Hardware	Pentium IV	2.3GHz +, 1GB hard drive, Intel USB 2.0 Host controller
Software	Windows 7	32 bit and 64 bit
	Windows Vista	32 bit and 64 bit
	Windows XP	Service pack 2 +, DirectX 9.0c or above

Government Compliance

FIPS 201	In conjunction with appropriate software
----------	--

Standards

RoHS	
------	--